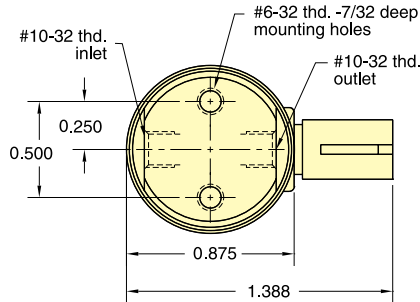


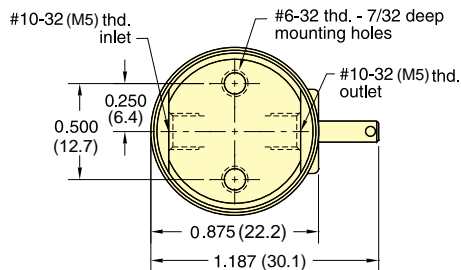


EV, ET, EC SERIES 3-WAY NORMALLY CLOSED VALVES IN-LINE MOUNT

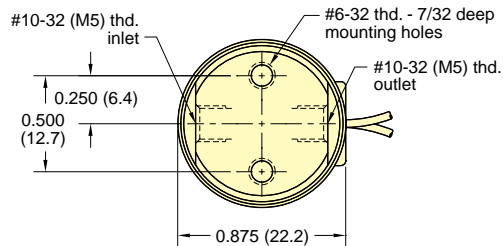
EC - 3 - □ - □



ET - 3 - □ - □



EV - 3 - □ - □



Type: Normally Closed 3-Way
Medium: Air (40 micron filtration)
Temperature Range: 30° to 180°
Power Consumption: 0.67 watt
Response: 5 - 10 milliseconds
Mounting: In-line
Ports: #10-32 (M5)
Operating Range: 90% to 150% of rated voltage

Air Flow: 0.6 scfm @ 100 psig
 15 l/min @ 7 bar
 "L" option - 0.5 scfm @ 50 psig;
 15 l/min @ 3.5 bar
 "H" option - 0.45 scfm @ 25 psig;
 14 l/min @ 1.8 bar

Pressure Range:
 28" Hg Vac. to 105 psig;
 0-7 bar max
 "L" option:
 28" Hg Vac. to 50 psig;
 0-3.5 bar max
 "H" option:
 28" Hg Vac. to 25 psig;
 0-1.8 bar max



For Cable and Connectors,
see Page 184.



* Consult factory for availability of non-standard voltages and other options

NUMBERING SYSTEM

E □ - **3** - □ - □ - □

C - Connector
T - Terminal Spades
V - Wire Leads

Voltages: *
6 - 6 Volts
12 - 12 Volts
24 - 24 Volts

Standard Options:
Blank - Standard orifice 0.025
L - 0.040 orifice
H - 0.060 orifice
V - Viton® seals
Non-Standard Options:
E - EPR seals
S - Silicon seals
D - Diode

M5 - Metric